



**/ Type Gent 400 / 580**  
**Cycle city Gent knows what's up!**

# / GENERAL

Type Gent is a robust bicycle rack with extra attention to safety and it guarantees extra durability. This makes the rack vandal-resistant and suitable for intensive use. Due to the large front wheel supports, the wheel is not clamped and cannot be damaged. This model comes in two different versions: high-low and low-low which contributes to a user-friendly storage of any bicycle.



# / DATASHEET

## Structure

- P-bracket and support structure in tube (Dxd = 42.4x2.9mm)
- Centered wheel holder (Dxd = 26.9x2.65mm / 42.4x2.9mm)
- Base plates (LxWxHxd = 360x100x65x10mm)

## Material

- Steel

## Versions

Axle distance 400mm - high / low arrangement

- Single-sided arrangement: 4/5/6 bicycle spaces

Axle distance 580mm - low / low setup

- Single-sided arrangement: 4/5/6 bicycle spaces

## Connecting options

- Yes

## Options

- Charging point E-point Type Gent with low / low setup

## Dimensions

Single sided - center distance 400mm (max. tire thickness 67mm)

- 4 bicycle places: LxWxH = 1352x1001x1047mm
- 5 bicycle places: LxWxH = 1752x1001x1047mm
- 6 bicycle places: LxWxH = 2152x1001x1047mm

Single sided - center distance 580mm (max. tire thickness 67mm)

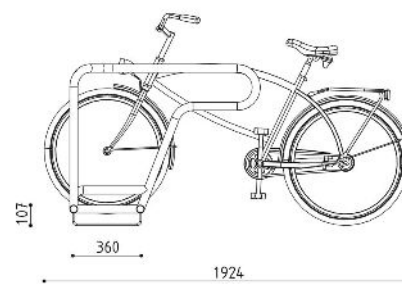
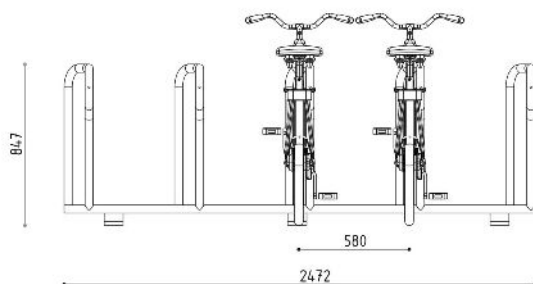
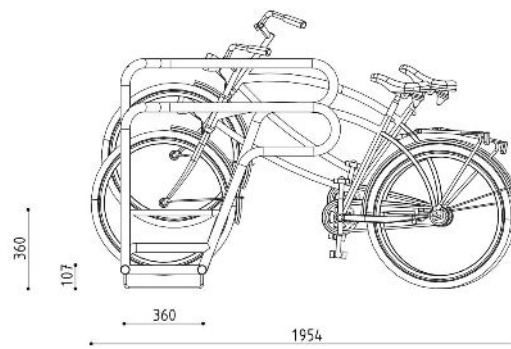
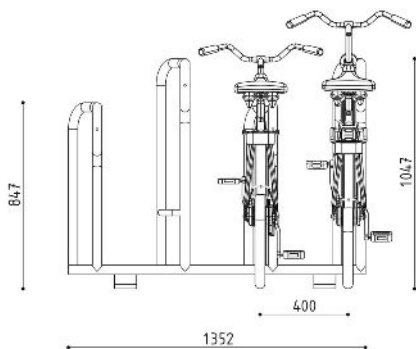
- 4 bicycle places: LxWxH = 1892x1001x847mm
- 5 bicycle places: LxWxH = 2472x1001x847mm
- 6 bicycle places: LxWxH = 3052x1001x847mm

## Surface treatment

- Hot-dip galvanized steel
- Hot-dip galvanized and powder coated steel

## Anchoring

- With screws and plugs on 2 concrete blocks 30x30x40cm
- Directly on the pavement by means of wedge bolts
- By chemical anchoring



# / INSPIRE



